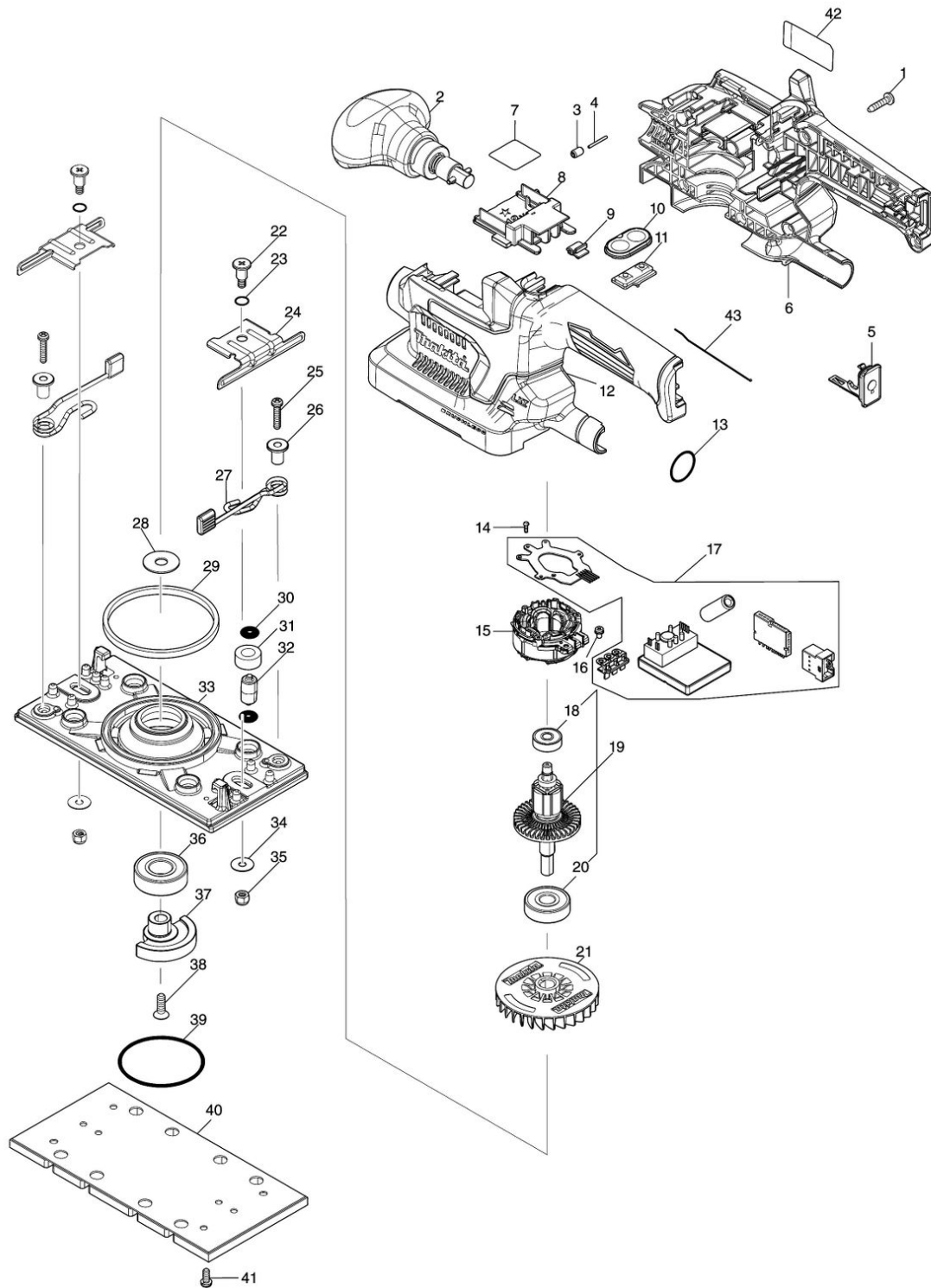


Partdrawing for DBO381ZU - Vlakschuurmachine



Model No.DBO381 CORDLESS FINISHING SANDER



| Nr. | Part nr. | Name |
|--------|----------|------------------------------|
| 001 | 265995-6 | Tapschroef 4X18 P |
| 002 | 122A91-8 | Voorhandgreep DBO380/81 |
| 003 | 263036-2 | Rubber Pen 5 Btw251 |
| 004 | 268284-8 | Pen 1,5 Tw100D |
| 005 | 140F99-0 | Afdekkap DGA701 |
| 005C10 | 213A05-9 | O-ring 16 SP001G |
| 006 | 183T93-3 | Motorhuis DBO381 |
| 006C10 | 263005-3 | Rubber Pen 6 AC320H P |
| 007 | 8111L2-9 | Label serienr DBO381 |
| 008 | 643874-2 | Aansluitunit Dhp483 |
| 009 | 424517-3 | Bescherming Bdf459 |
| 010 | 141E90-5 | Schakelplaat DBO380/81 |
| 011 | 632K92-3 | Schakel Unit Drt50 |
| 012 | 183T93-3 | Motorhuis DBO381 |
| 012C10 | 263005-3 | Rubber Pen 6 AC320H P |
| 013 | 213315-8 | O-Ring 19 Bo3700 |
| 014 | 266490-9 | Parker Ck 2X6Mm DDF483 P |
| 015 | 629491-2 | Veld DVC156L |
| 016 | 652069-6 | Kruiskop Schroef M3X6 |
| 017 | 620G24-8 | Controller DBO381 |
| 018 | 210022-4 | KOGELLAGER 626DDW |
| 019 | 519705-6 | Anker DBO380/81 |
| 020 | 211087-9 | Kogellager 6200Dw |
| 021 | 240230-3 | Waaier 68 DBO380/81 |
| 022 | 266511-7 | Platschroef Bo3711 |
| 023 | 213045-1 | O-Ring 6 An250/Bo3711 |
| 024 | 346102-1 | Papierklem Bo3711 |
| 025 | 911136-9 | Schroef 4X20 P |
| 026 | 310300-3 | Veergeleider Bo3711 |
| 027 | 162279-2 | Handel Tbv Papierklem Bo3711 |
| 028 | 267353-2 | Revet 29 Hr2811C |
| 029 | 423469-5 | Stofring 6X230X3 Bo3711 A |
| 030 | 213983-7 | O-Ring 4 Bo4555 |
| 031 | 424056-3 | Sponshuis 9 Bo3700 |
| 032 | 318151-8 | Voetsteun Bo4555 |
| 033 | 318484-1 | Voetzool Bo3711 |
| 034 | 253807-5 | Sluitring 5x3,5mm |
| 034-1 | 253572-6 | Sluitring 5x3,5mm |
| 035 | 252103-8 | Zeskant Borgmoer M5X8 A |
| 036 | 211228-7 | Kogellager 6202Llb A |
| 037 | 313395-5 | Balansgewicht DBO380/81 |
| 038 | 912222-9 | Verzonken Schroef M5X16 P |
| 039 | 213656-2 | O-Ring 53 |
| 040 | 140441-9 | SCHUURZOOl MT923 P |
| 041 | 911111-5 | Schroef 4X10 |
| 042 | 8111K8-0 | Naamplaat DBO381 |

Partdrawing for DBO381ZU - Vlakschuurmachine



| Nr. | Part nr. | Name |
|-----|----------|------------------------|
| 043 | 327983-2 | Contactdraad DBO380/81 |